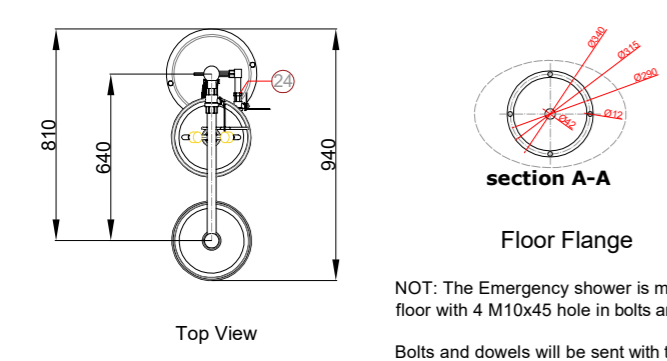
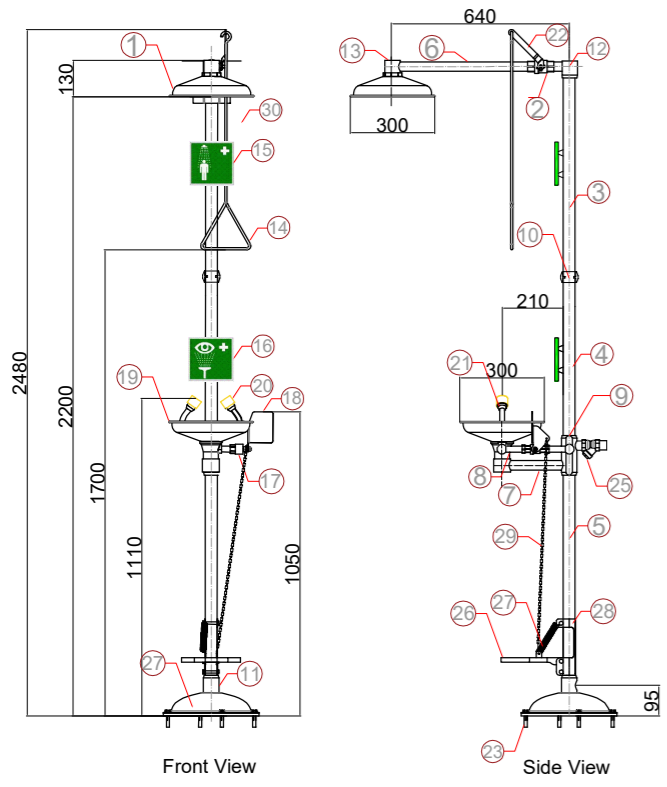




İŞÇİ SAĞLIĞI TEÇHİZATI

15032500 Technical Drawings

DOCUMENT NO	TC.02.002
REVISION NO	00
REVISION DATE	--
RELEASE DATE	30.06.2021

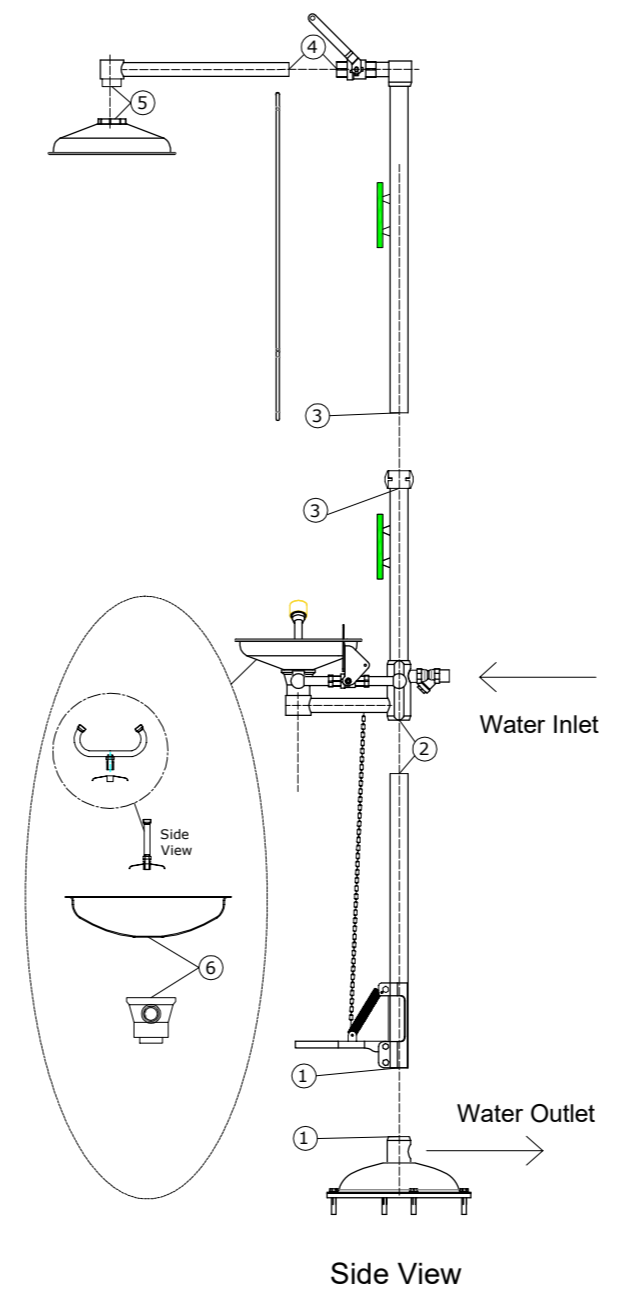


NOT: The Emergency shower is mounted on the floor with 4 M10x45 hole in bolts and dowels.
Bolts and dowels will be sent with the product.
- 4 piece hole in anchor bolts
- 4 piece dowels

NO.	DESCRIPTION	MATERIAL
29	Pedal Chain	Stainless Steel 316
28	Pedal Clamp	Galvanized Painted Steel
27	Foot Control spring	Stainless Steel 304
26	Foot Control Pedal	Galvanized Painted Steel
25	1" Filter	Brass
24	1/2" Ball Valve for eye/face wash	Galvanized Painted Steel
23	M10x45 Hole in Bolt(4 piece)	Stainless Steel 304
22	1" Valve Handle	Galvanized Painted Steel
21	Spray Nozzles	Brass
20	Dust Cover on Eyewash Spray	Plastic
19	Eyewash Bowl	Galvanized Painted Steel
18	Push Handle Control for Eyewash	Galvanized Painted Steel
17	Eye/face corner connection	Galvanized Painted Steel
16	Eye/face wash sign	Phosphorus
15	Emergency shower sign	Phosphorus
14	Pull Rod control for shower	Galvanized Painted Steel
13	Shower Head Fitting	Galvanized Painted Steel
12	Top Corner Fitting	Galvanized Painted Steel
11	1" Water Outlet (Female)	Galvanized Painted Steel
10	Middle connection	Galvanized Painted Steel
9	Main Connection fitting	Galvanized Painted Steel
8	1/2" 85 mm pipe	Galvanized Painted Steel
7	1" 220 mm pipe	Galvanized Painted Steel
6	1" 500 mm pipe	Galvanized Painted Steel
5	1 1/4" 740 mm pipe	Galvanized Painted Steel
4	1 1/4" 590 mm pipe	Galvanized Painted Steel
3	1 1/4" 660 mm pipe	Galvanized Painted Steel
2	1" Ball Valve	Galvanized Painted Steel
1	Shower head Bowl (Ø300mm)	Galvanized Painted Steel

Standards: EN 15154-1-2
ANSI/ISEA Z358.1-2014
Water Flow: 75,7 lt / min for Shower
11,4 lt / min for eye/face wash
Total Weight: 22,6 kgs
Packed Dimensions: 35x83x21 cm

Static test pressure : 7 bar
Min using pressure : 1,4 bar
Max using pressure : 2,8 bar



- 1) Screw number 1 pieces together. (1-1)
- 2) Screw number 2 pieces together. (2-2)
- 3) Screw number 3 pieces together. (3-3)
- 4) Screw number 4 pieces together. (4-4)
- 5) Screw number 5 pieces together. (5-5)
- 6) Eyewash dish screwed to low and (6-6), eyewash screwed on the middle of the eyewash dish and connected completely. Spray nozzles must be to run parallel with person who see in front of shower.
- 7) Please use impermeability teflon bands at pipe connection points
- 8) The shower which is finished assembly is connected pedestal by 4 holes that are on pedestal connecting part. For the connecting could use M10x45 hole in anchor bolt steel plugs.
- 9) The shower can directly connected to water network by 1" water inlet.
- 10) You can drain the waste water by connecting a suitable 1" diameter pipe or hose to the waste water outlet.

	REV. DATE	DESCRIPTION	DESIGNED	CHECKED	APPROVED	SS	FA	ST		
	1	FIRST ISSUE								
FOR INFORMATION <input type="checkbox"/> FOR REVIEW <input type="checkbox"/> FOR APPROVAL <input type="checkbox"/>	FOR RFQ/DESIGN <input checked="" type="checkbox"/>		ORIGINAL EDITION DESIGNED <input checked="" type="checkbox"/> CHECKED <input checked="" type="checkbox"/> APPROVED <input checked="" type="checkbox"/>	SS <input checked="" type="checkbox"/> FA <input type="checkbox"/> ST <input type="checkbox"/>	SIZE A4	SCALE 1/100	PRODUCT ISTEK TYPE ESW EMERGENCY SHOWER AND EYE/FACE WASH	DRAWING NUMBER/DATE: 420/16-1	SHEET: 1 OF: 1	DRAWING NAME: 15032500

PREPARED
EMRAH ATLI

APPROVED
SERDAR TÜRKUÇAR